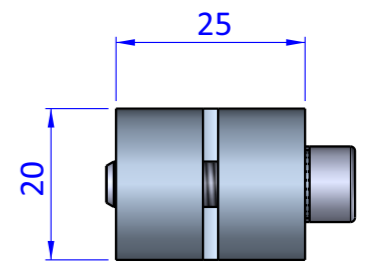
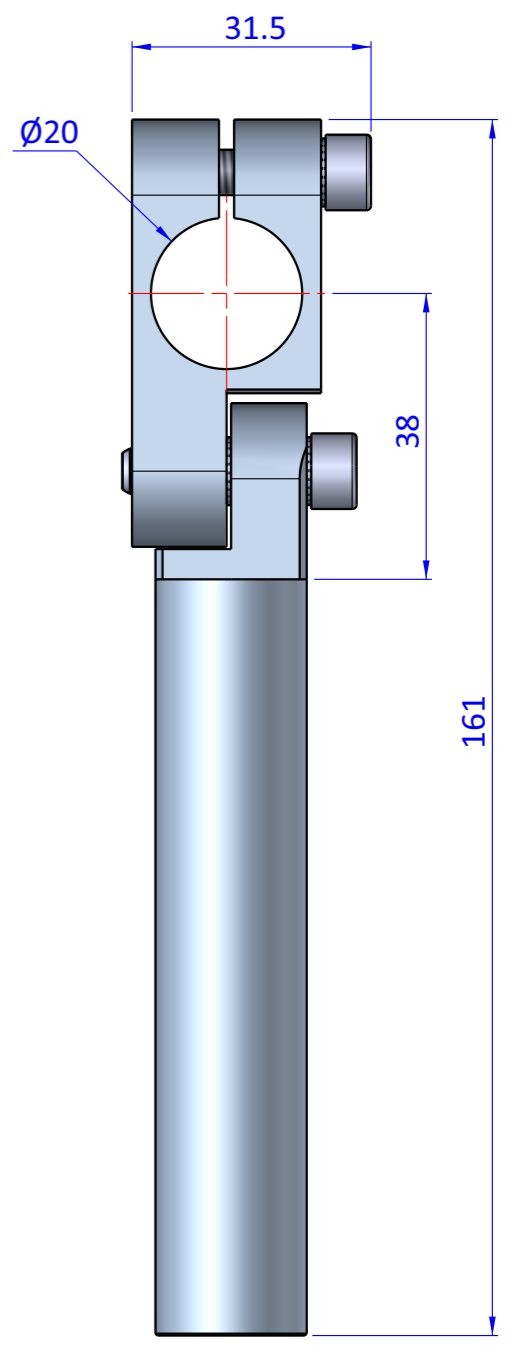
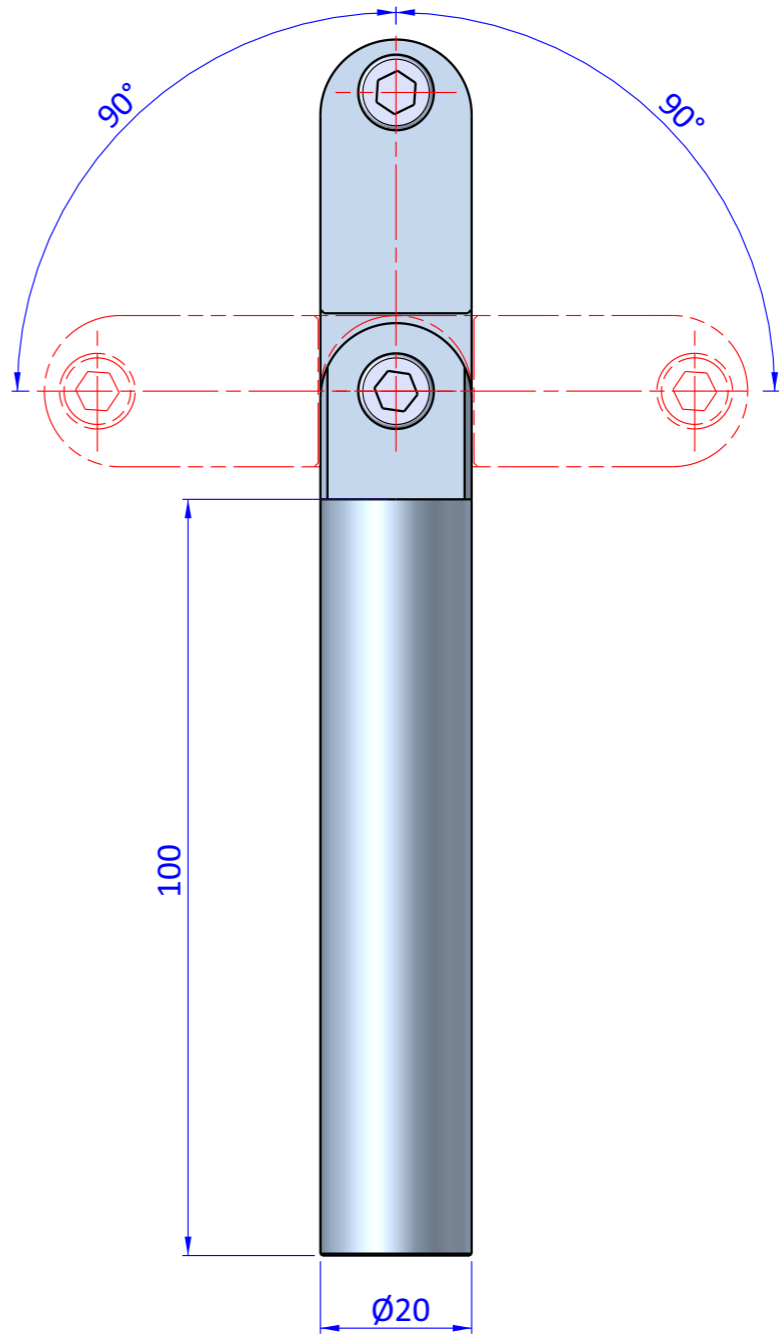
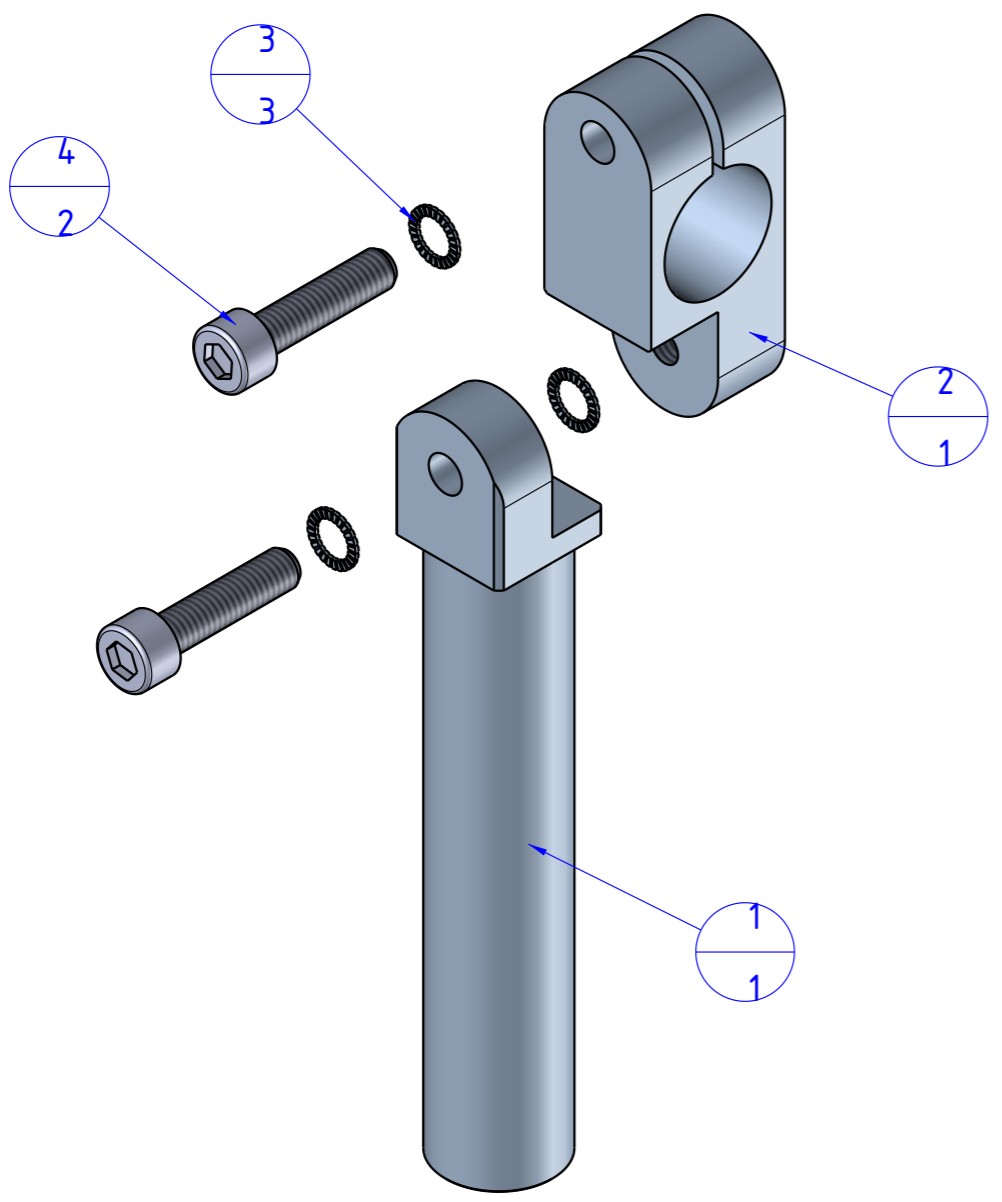

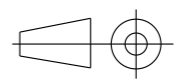


THE PROPERTY OF THE DRAWING IS ESTABLISHED BY LAW. IT IS FORBIDDEN TO PRODUCE OR SHOW IT TO THIRD PART. WITHOUT A WRITTEN AGREEMENT.

Item	Name	Q.ty
1	GLA.20.1	1
2	GLA.20.2	1
3	R.6.SCH	3
4	V.TCE6x25	2



Format A3  
UNI 936-76

 <b>FPS</b> FPSERVICES AUTOMATION			DESIGNED FROM <b>FPS Automation</b>	REVIEW <b>A</b>
GENERAL TOLERANCE UNI - ISO 2768 CLASSE f	DESCRIPTION CA.GLA.2020.100	DATE 24/08/2020	WEIGHT 0,106kg	CODE CA.GLA.2020.100